



## FLC21 Series

Application Specific Discretes  
A.S.D.™

LOW POWER  
FIRE LIGHTER CIRCUIT

### FEATURES

- DEDICATED THYRISTOR STRUCTURE FOR CAPACITIVE DISCHARGE IGNITION OPERATION
- HIGH PULSE CURRENT CAPABILITY  
 $I_{FRM} = 90A @ t_p = 10\mu S$
- AC OR DC OPERATION CAPABILITY WITH SUPPLY FROM THE AC MAINS OR A DC BATTERY
- FAST TURN-ON OPERATION
- DESIGNED FOR HIGH AMBIENT TEMPERATURE (up to 120°C)

### BENEFITS

- SPACE SAVING THANKS TO MONOLITHIC FUNCTION INTEGRATION
- HIGH RELIABILITY WITH PLANAR TECHNOLOGY

### DESCRIPTION

The FLC21 series has been especially developed for capacitance discharge operation. The main applications are: fuel ignitors, fuel or gas heaters, gas ranges, cooker tops, barbecues, water heaters, HVACs, portable ignitors, insect killers.

Based on ST's ASD™ technology, it provides a fully integrated function, with high performance and reliability levels, adapted to severe and hot temperature environment.

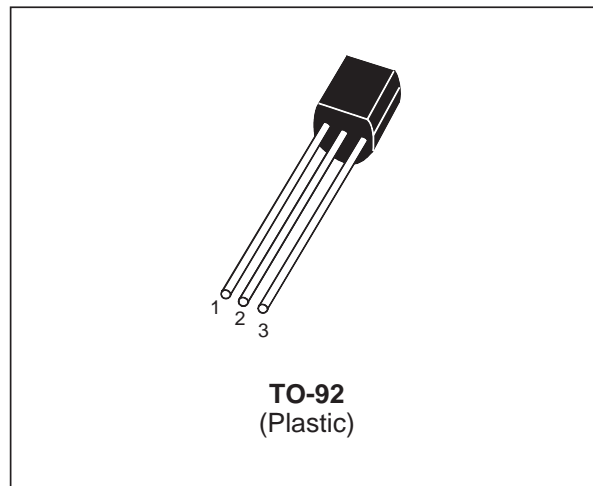
The typical supply of the FLC21 fire lighter circuit is a DC battery or the AC mains.

**Th:** Thyristor for the switching operation.

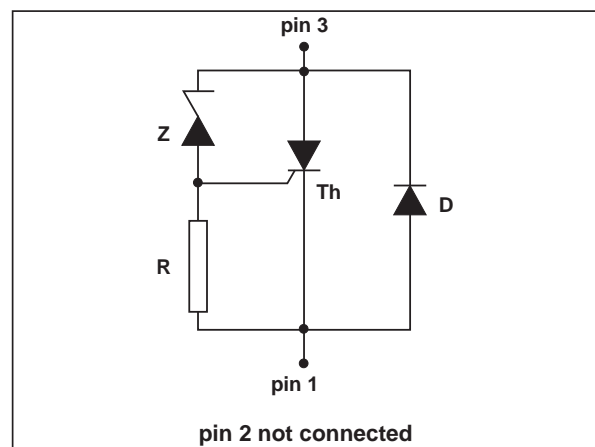
**Z:** Zener diode to set the igniting threshold voltage.

**D:** Diode for the reverse conduction.

**R:** 2 kΩ resistor.



### FUNCTIONAL DIAGRAM



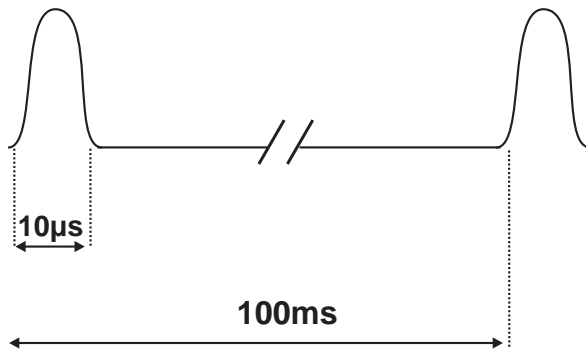
DEVICE TYPE	APPLICATION	MODE
FLC21-135A	BATTERY OPERATION	Ignition
FLC21-65A	100V Mains	Ignition

## FLC21 Series

### ABSOLUTE RATINGS (limiting values)

Symbol	Parameter	Value	Unit
$I_{TRM}$	Repetitive surge peak on state current for thyristor $-30^{\circ}\text{C} \leq T_{amb} \leq 120^{\circ}\text{C}$	90 $t_p = 10\mu\text{s}$ (note 1)	A
$I_{FRM}$	Repetitive surge peak on state current for diode $-30^{\circ}\text{C} \leq T_{amb} \leq 120^{\circ}\text{C}$		
$di/dt$	Critical rate of rise on state current $-30^{\circ}\text{C} \leq T_{amb} \leq 120^{\circ}\text{C}$	50	A/ $\mu\text{s}$
$T_{stg}$ $T_j$	Storage junction temperature range Maximum junction temperature	- 40 to + 150 125	$^{\circ}\text{C}$
$T_{amb}$	Operating temperature range	- 30 to + 120	$^{\circ}\text{C}$
$T_L$	Maximum lead temperature for soldering during 10s	260	$^{\circ}\text{C}$

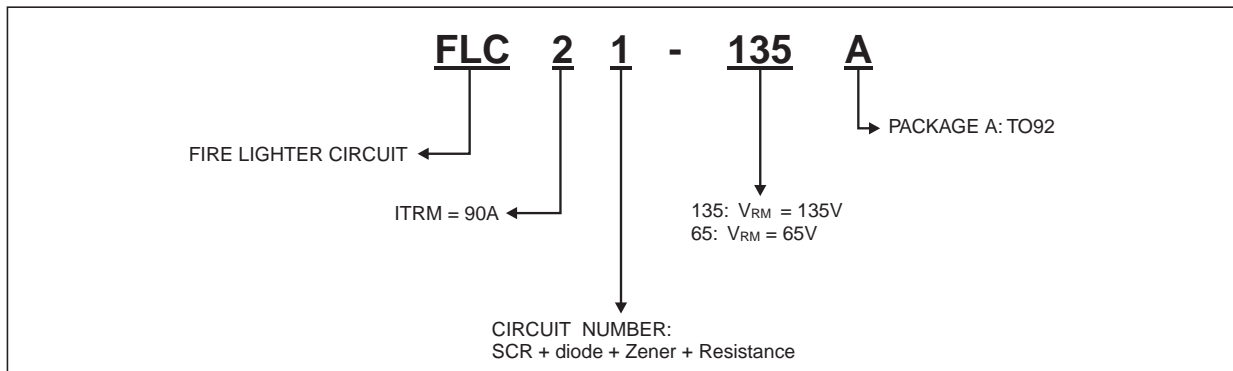
Note 1 : Test current waveform



### THERMAL RESISTANCE

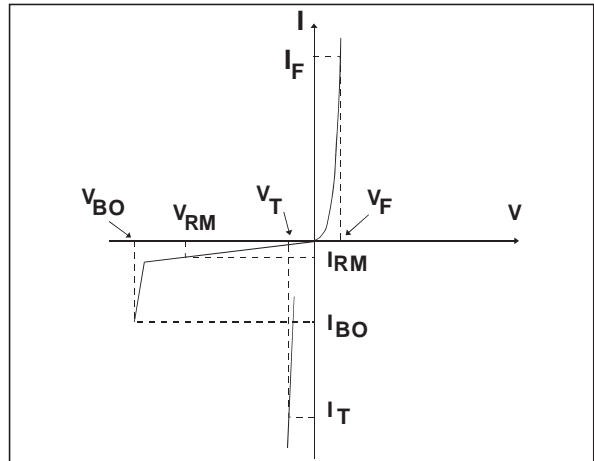
Symbol	Parameter	Value	Unit
$R_{th(j-a)}$	Junction to ambient	150	$^{\circ}\text{C}/\text{W}$

### ORDERING INFORMATION



**ELECTRICAL CHARACTERISTICS**

Symbol	Parameters
$V_{RM}$	Stand-off voltage
$V_{BO}$	Breakover voltage
$V_T$	On-state voltage
$V_F$	Diode forward voltage drop
$I_{BO}$	Breakover current
$I_{RM}$	Leakage current
$\alpha T$	Temperature coefficient for $V_{BO}$



**DIODE (D) PARAMETER**

Symbol	Test Conditions			Value	Unit	
$V_F$	$I_F = 1A$	$t_p \leq 500\mu s$	$T_j = 25^\circ C$	Max.	1.7	V

**THYRISTOR (Th) and ZENER (Z) PARAMETERS**

Symbol	Test conditions		Value						Unit
			FLC21-65A			FLC21-135A			
			Min.	Typ.	Max.	Min.	Typ.	Max.	
$I_{RM}$	$V_{RM} = 65V$ for FLC21-65A $V_{RM} = 135V$ for FLC21-135A	$T_j = 25^\circ C$ $T_j = 125^\circ C$			1			1	$\mu A$
$V_{BO}$	at $I_{BO}$	$T_j = 25^\circ C$	70		80	140		160	V
$I_{BO}$	at $V_{BO}$	$T_j = 25^\circ C$			500			500	$\mu A$
$V_T$	$I_T = 2A$ $t_p \leq 500\mu s$	$T_j = 25^\circ C$			1.7			1.7	V
$\alpha T$				0.07			0.16		$V/^\circ C$

**Fig. 1:** Relative variation of breakover current versus junction temperature.

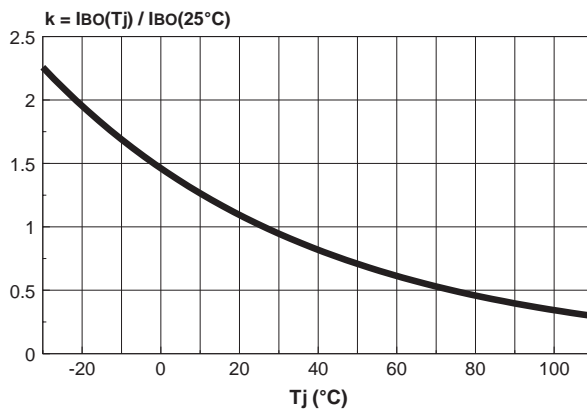


Fig. 2: BASIC AC MAINS APPLICATION.

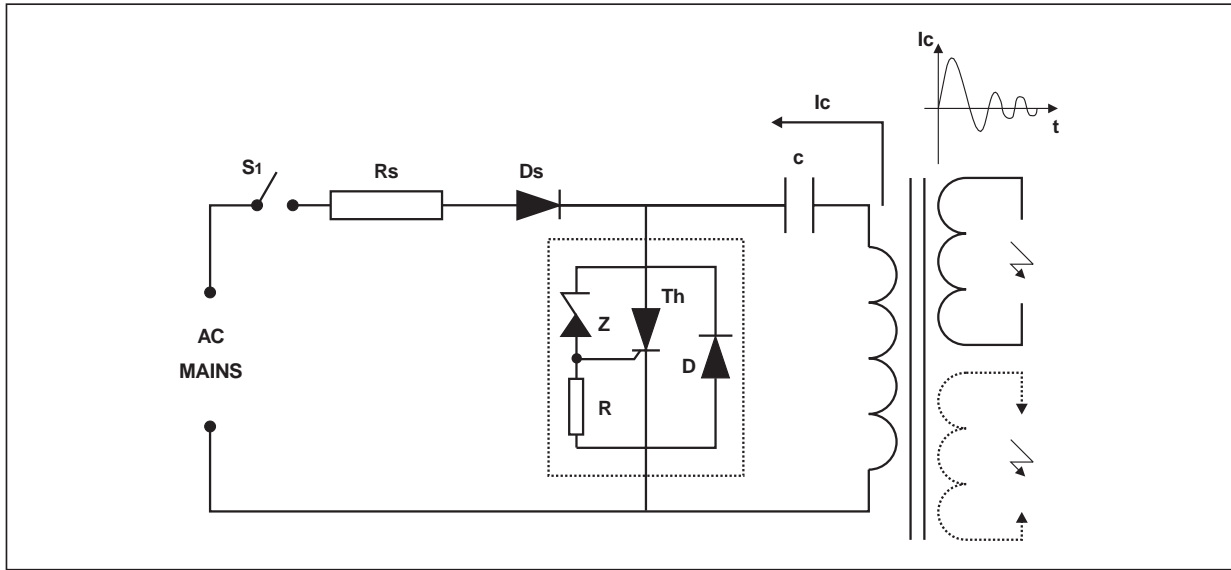
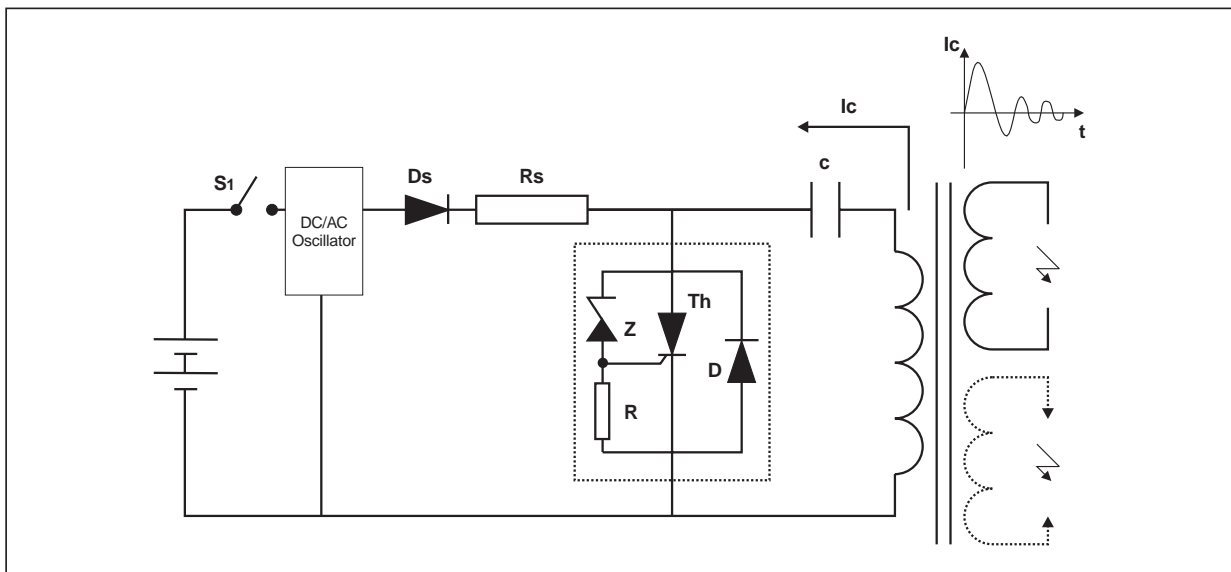


Fig. 3: BASIC DC APPLICATION.



**1/ IGNITION MODE**

**PHASE 1**

The AC voltage is rectified by the diode Ds. The ignition energy is supplied by the mains and stored into the capacitor C.

**PHASE 2**

At the end of the phase 1, the voltage across the capacitor C reaches the avalanche threshold of the Zener diode Z. Then, a current flows through this Zener diode into the gate of the thyristor Th which is triggered.

The thyristor turn-on generates an alternating current through the capacitor C. Its positive parts flow through the capacitor C, the primary of the HV transformer and the thyristor Th. Its negative parts of the current flow through C, D and the primary of the H.V transformer.

**RS RESISTANCE CALCULATION**

The Rs resistance allows, in addition with the capacitance C, the spark frequency to be adjusted and the current supplied by the mains to be limited. This resistance allows the thyristor triggering in

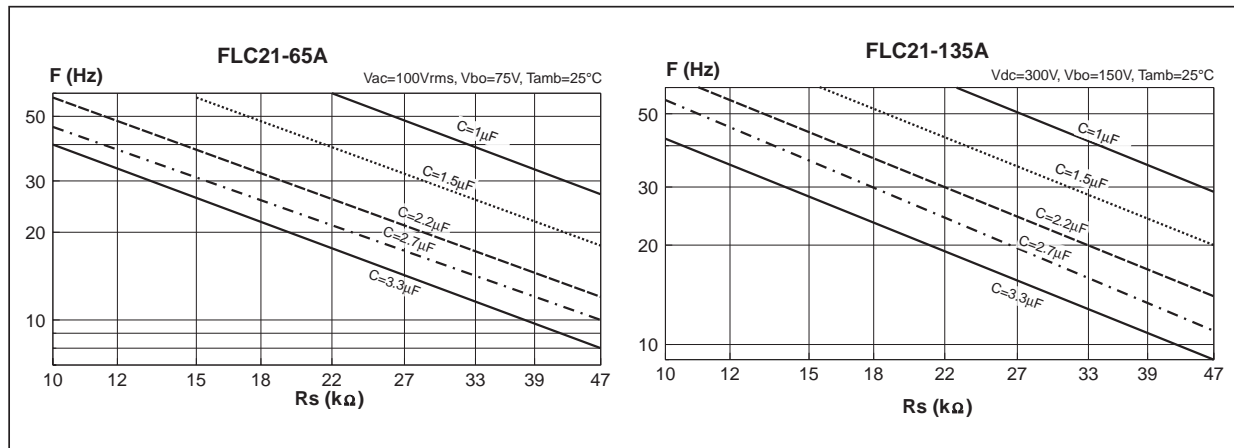
any requested cases. In the worst case scenario, the system must fire when the a.c. line voltage is minimum while the breakdown voltage  $V_{BO}$  and the current  $I_{BO}$  of the FLC are maximum.

The maximum Rs value is equal to:

$$R_{smax} = \frac{(V_{AC} \min. \sqrt{2}) - [V_{BO} \max. (1 + \alpha T. (T_{amb} - 25))]}{k \cdot I_{BO}^*}$$

\* : see fig 1

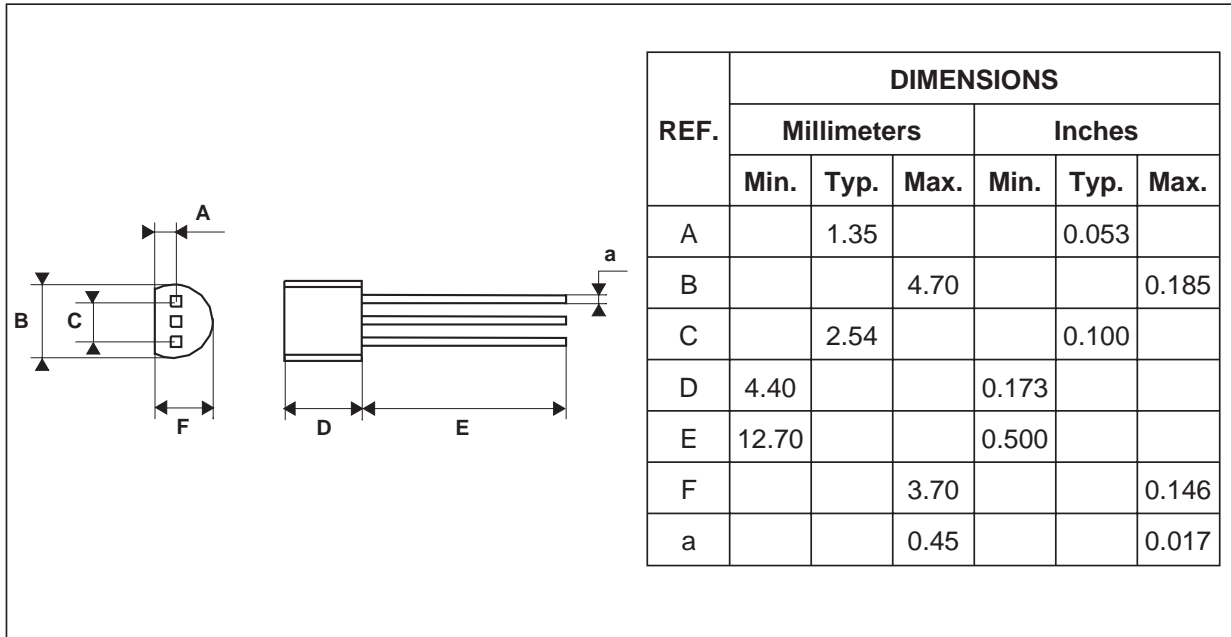
**Fig. 4:** Spark frequency versus Rs and C.



The couple  $R_s/C$  can be chosen with the previous curve. Keep in mind the  $R_s$  maximum limit for which the system would not work when the AC mains is minimum.

## FLC21 Series

### PACKAGE MECHANICAL DATA TO-92 (Plastic)



### OTHER INFORMATION

Type	Marking	Package	Weight	Base qty	Delivery mode
FLC21- 65A	FLC21-65A	TO-92	0.20 g	2500	Bulk
FLC21-135A	FLC21-135A	TO-92	0.20 g	2500	Bulk

- Epoxy meets UL94, VO at 1/8"

Information furnished is believed to be accurate and reliable. However, STMicroelectronics assumes no responsibility for the consequences of use of such information nor for any infringement of patents or other rights of third parties which may result from its use. No license is granted by implication or otherwise under any patent or patent rights of STMicroelectronics. Specifications mentioned in this publication are subject to change without notice. This publication supersedes and replaces all information previously supplied. STMicroelectronics products are not authorized for use as critical components in life support devices or systems without express written approval of STMicroelectronics.

The ST logo is a registered trademark of STMicroelectronics  
© 2000 STMicroelectronics - Printed in Italy - All rights reserved.

STMicroelectronics GROUP OF COMPANIES  
Australia - Brazil - China - Finland - France - Germany - Hong Kong - India - Italy - Japan - Malaysia  
Malta - Morocco - Singapore - Spain - Sweden - Switzerland - United Kingdom - U.S.A.

<http://www.st.com>